

Most flexible and robust stainless steel holder for usage directly at the point of care.

## Eurodispenser 3 flex



# Eurodispenser 3 flex

## Characteristics

Eurodispenser 3 flex was particularly designed for the attachment directly at the point of care: right where hand disinfectant is needed. Always within the staff's sight and reach, the Eurodispenser 3 flex provides ideal conditions to disinfect the hands in the WHO moments that are relevant to patient safety without leaving the patient zone or interrupting the working routine. Consisting of a stainless steel wire frame and a flexible clamp, the dispenser combines a simple design with highest flexibility. The dispenser is available in two sizes – for 500 ml or 1000 ml BODE bottles – and is suitable for the application of hand disinfectants, wash lotions and skin care products.

## Advantages at a glance:

- reliable, robust dispenser made out of stainless steel
- multiple fastening options directly at the point of care without needing any accessories
- clamp can be turned by 360°
- clamp usable for flat surfaces (15 – 30 mm) and tubular frames (15 -45 mm)
- clamp can be flexibly positioned at the back, at the bottom and at angled positions without removing it from the dispenser
- designed for 500 ml and 1000 ml BODE bottles, bottle is securely hold in the dispenser
- bottle can be positioned either straight or tilted for a more convenient handling and easy application
- easy installation and repositioning without tools
- no damage on surfaces and maximum stability due to scratch protection
- easy cleaning and operation
- fast and easy bottle exchange
- dosing pumps separately available

## Areas of application

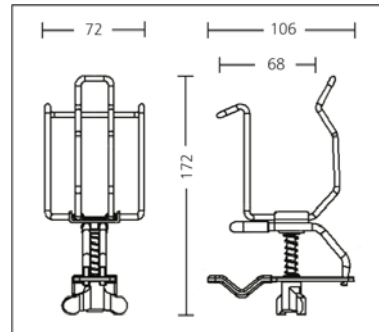
- on patient beds
- on overbed tables
- on standard rails (e.g. Dräger) in patient and functional rooms
- on ward and dressing trolleys
- on drip stands (IV poles)
- incubators
- in examination rooms
- in doctor's rooms and on nurses' stations
- in outpatient departments and patient transport ambulances
- in doctor's practices and medical centres

## Set-up

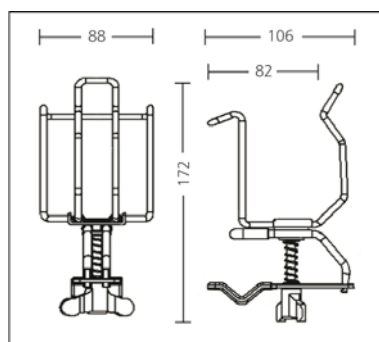
- stainless steel wire frame
- multi flexible clamp with wingnut and scratch protection

## Technical drawing

Detail drawing 500ml dispenser



Detail drawing 1000ml dispenser



## Product range and accessories

- Eurodispenser 3 flex for 500 ml BODE-bottles
- Eurodispenser 3 flex for 1000 ml BODE-bottles
- Single-use pump
- Dosing pump

## Material

- bracket and clamp made out of stainless steel, electro-polished, smooth and shiny surfaces, shock-resistant
- wing nut made out of PA6 and brass
- scratch protection of clamp made out of PVC

## Stability after opening

Stability after opening with dosing pump: 12 months\*

\*Applicable for all Hartmann hand disinfectants, wash lotions and skin care products.

# Eurodispenser 3 flex

## Mounting instruction

### Preparation:

- 1 Loosen wing nut.
- 2 Move the clip into a horizontal, vertical or diagonal position on the frame.
- 3 Rotate clip to the desired angle (can be rotated 360°).



### Horizontal positioning (e.g. on bedframe or overbed table):

- 4 Tighten wing nut until the frame is able to support the dispenser securely.
- 5 Insert bottle.
- 6 If desired, use click function to tilt bottle.



### Vertical positioning (e.g. on drip stand):

- 7 Tighten wing nut until the frame is able to support the dispenser securely.
- 8 Insert bottle.
- 9 If desired, use click function to tilt bottle.



## Reprocessing

Cleaning and disinfection of the dispenser should be carried out each time the bottle is exchanged. When using dosing pumps (no disposable pumps) cleaning and disinfection should also be carried out on each bottle exchange.

### Manual reprocessing of the dispenser

- remove bottle from dispenser
- if necessary clean the dispenser with moistened disposable tissue from product residuals
- Wipe dispenser with sufficient amount of surface disinfectant (e.g. Bacillol AF, Bacillol 30 Tissues, Mikrobac Tissues, Kohrsolin extra Tissues, Dismozon plus), ensuring complete coverage, consider exposure time
- insert new bottle with new or separately reprocessed pump (see below) and dispense product

### Manual reprocessing of the pump (when not using disposable pumps)

- first, rinse pump thoroughly with hot water and cleanse it of product residuals
- second, rinse pump thoroughly with alcoholic surface disinfectant and leave it for 5 minutes
- afterwards pump it empty
- after complete drying, insert pump again or store it in a dust-free area

Note: Do not use abrasives or corrosive cleaners

## Possible mounting examples



04/16